

INSTALLATION INSTRUCTIONS

Bottom Drain Model #2901, #2902 and #2903

For additional installation instructions that pertain to each individual urinal, please see back.

NOTE:

No flushometer needed for fixture, provide suitable reinforcements for all wall supports and carriers. ADA: Requires urinal rim to be mounted 17" above finished floor. Dimensions for fixtures are nominal and may vary within the range of tolerances established by ANSI Standard A112.19.2, A112.19.19 and ANSI Z124.9. Measurements are subject to change or cancellation. No responsibility is assumed. CSA®; ; others.

Please leave this Installation/Care sheet with the owner/user as it contains important information.

BOX CONTENTS:

2-EcoTrap® Inserts; 2-Wall Hangers;
1-Tile Label; 2-Washers; 4-Plastic Anchors; 4-Screws;

TOOLS/HARDWARE NEEDED:

Screwdriver; 5/16" (7.9mm) Masonry Drill Bit and Drill; Putty Knife; Water Supply Cap (for retrofit only); Caulk; 2-Screws

BEFORE YOU BEGIN:

- **Do not** install *No-Flush™* urinals without prior waste line clean out. **Do not** double trap *No-Flush™* urinal.
- Please insure that the new urinal has the correct rough-in dimensions.
- When working with highly polished plastic or ceramic products, please use care in handling the unit during installation to avoid scratches or chip marks.
- Over-tightening bolts and screws may result in damage to the urinal.
- Measure drain line height for correct urinal height.

TO REMOVE EXISTING URINAL:

Turn off the water supply. Flush the urinal to drain valve and scoop or sponge out remaining water in urinal. Disconnect the flushometer valve and cap water supply line. Remove urinal shell from wall and clean off any residues from wall and flange.

BEFORE YOU INSTALL URINAL:

Do not install *No-Flush™* urinal without prior waste line clean out. Existing scaling and debris in the waste line will inhibit the flow of waste from Waterless™ urinal and its proper functioning can not be guaranteed. *No-Flush™* urinals are engineered, however, to reduce waste line scaling.

TO INSTALL NO-FLUSH™ URINAL:

- Waterless urinal should be attached to wall so that urinal lip is 24" off floor (for ADA urinal 17" lip to floor).
- Measure required instruction sheet height per urinal above center of waste line/rough-in.

#2902 DEL CASA & #2903 SANTA FE Installation Instructions

- Mark holes for wall hangers at desired height and 5.5" (127mm) for #2902 and 4.0" (102mm) for #2903 to each side of urinal center. Assure hangers are aligned horizontally. Drill hanger holes with 5/16" (8mm) drill bit. Attach wall hangers with supplied screws and plastic anchors. Tighten screws.
- Mark holes on wall through holes in horizontal bottom piece of urinal. Remove urinal and use same drill bit to drill holes. Reattach urinal over hangers and screw in bottom screws.
- Assemble ABS drain pieces (not supplied) as needed.
- Lip to floor height to be 24" (610mm) or ADA 17" (432mm)

#2901 DEL MAR Installation Instructions

- Mark holes for wall/bulkhead bolts (not supplied) on top of urinal at desired height. Assure holes are aligned horizontally. Drill holes with 5/16" (8mm) drill bit.
- Mark holes on wall through holes in horizontal bottom piece of urinal. Remove urinal and use same drill bit to drill holes. Set urinal to wall/bulkhead and hand tighten top of urinal with bolts. Attach supplied screws and plastic anchors through bottom holes. Tighten screws.
- Assemble ABS drain pieces (not supplied) as needed.
- Lip to floor height to be 24" (610mm) or ADA 17" (432mm)

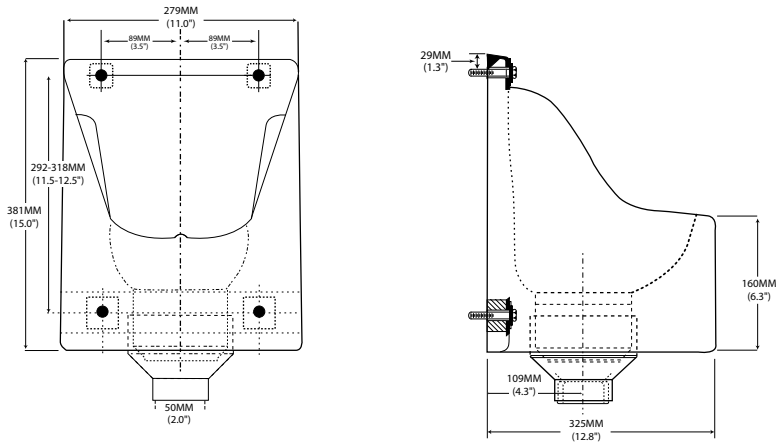
FOR ALL THREE: #2901, #2902 & #2903

- Measure 2" pipe parts, in accordance with local trade practices, for connection from urinal to drain line.
- Trial assemble all parts to see that all fits. Hand tighten pieces. **DO NOT DOUBLE TRAP WATERLESS URINAL.** The urinal has its own integral trap.
- Caulk around the urinal. Attach enclosed tile label above urinal on wall.

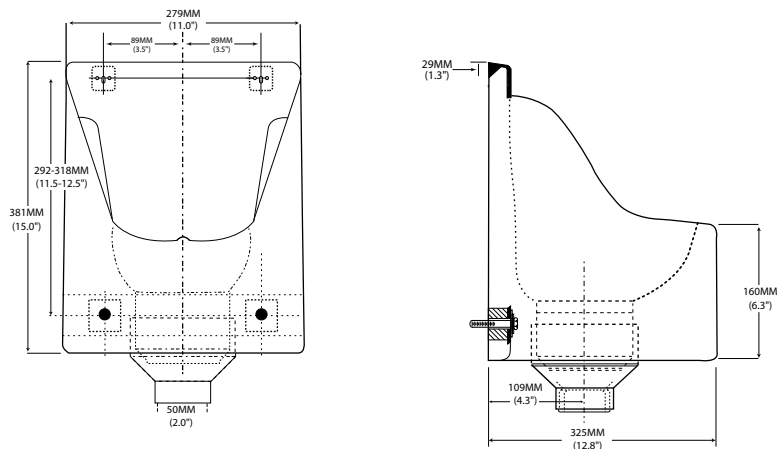
INITIAL START-UP:

Wipe urinal clean with soft moist rag. Take enclosed *EcoTrap®* plastic trap insert and set trap into trapway. **Push trap down below rim of trapway.** Fill with water under faucet in sink. Fill until full or water overflows on bottom then add 3 oz. of *BlueSeal®* liquid. **Done!**

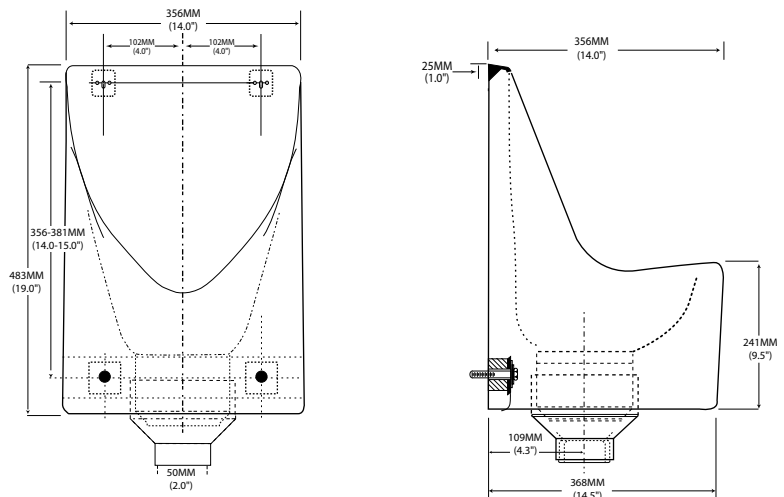
Del Mar™ #2901 Bottom Drain



Del Casa™ #2902 Bottom Drain



Santa Fe™ #2903 Bottom Drain



In keeping with our policy of product improvement, Waterless Co. LLC reserves the right to change product specifications at any time without notice.